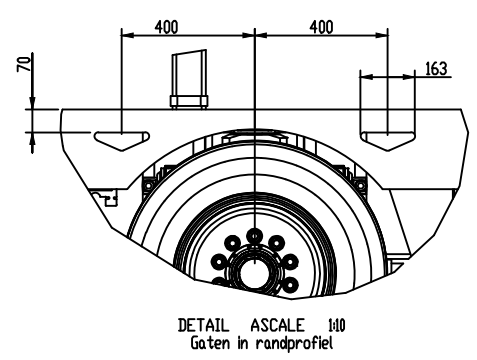
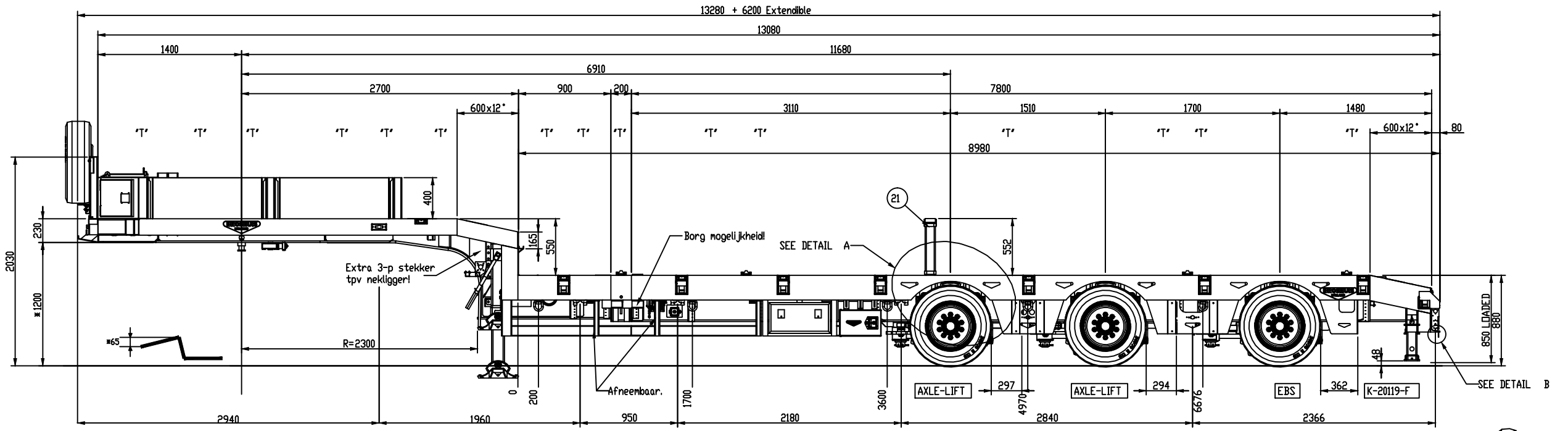
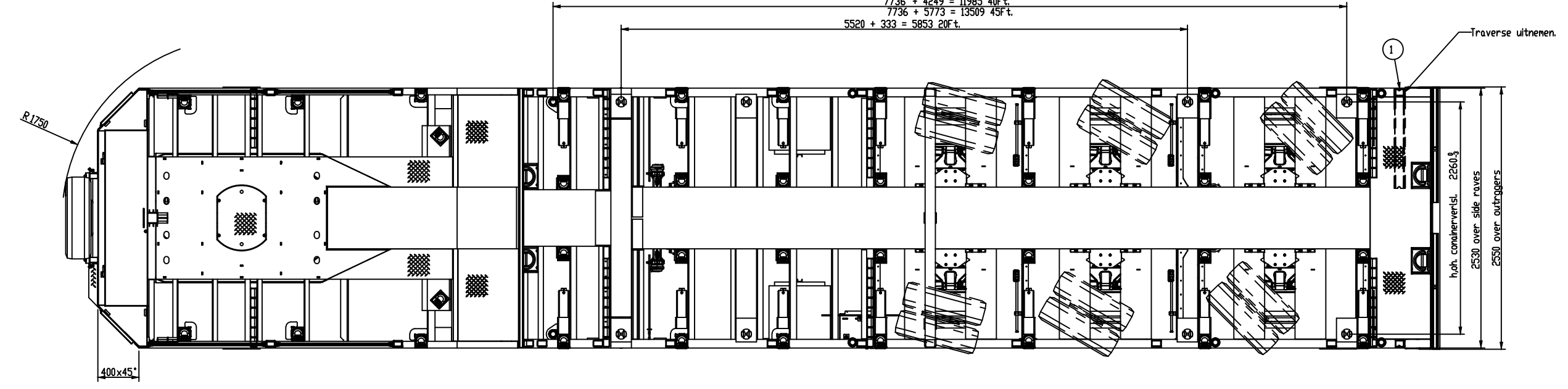


1 2 3 4 5 6 7 8 9 10 11 12 13 14 15 16

rev date engineer remarks

ST. ST. ST. 10T. 10T. 10T. 10T. 10T. 10T. 10T. 10T.



23	1	A0416203	A	AANSTURING 3 ABSD SL 2530 SPECIAL 1510-1700 AS AFSTAND
22	1	A0409714	A	AFMONTAGE VASTE SLANGENLEINE
21	1	A0409633	A	LAADBOEK TUSSEN RINGEN MET HOUT L= 2370 H= 515
20	1	A0409230	A	OPTIES NA DELING B=2530
19	1	A0409199	A	OPTIES VOOR DELING B=2530 FP=900
18	1	A0408159	A	OPTIES & ACCESSORIES NECK
17	1	A0398768	A	BIKO SL MET AANLASDELEN 3ABSD
16	1	A0397504	A	BIKO SL MET AANLASDELEN
15	1	A0397452	A	NEKADAPTIE
14	1	A0396791	A	NEK GESCHIKT VOOR STEEKSCHOTTEN
13	1	A0396610	A	VASTE VERSCHUIFBARE TUSSENTAFEL
12	1	A0396351	A	VAST REEL
11	2	A0396195	A	DRIVUW ASLIFT SL V3 LINKS & RECHTS
10	1	A0395910	A	LAADVLOER
9	1	A0211820	A	DRIJUW MET SCHIJNEN STRIP L=2520
8	2	A0176835	A	FERRY OOG MET BAKJE
7	1	A0171235	B	OPBROUW BLOKKEERPEN SEMI
6	1	A0132288	F	ACHTERKALF MET VERBREDINGSTEUNEN
5	3	A0122019	E	DNAFHANKELIJKE VIELOPHANGING 2530 V2
4	1	A0121248	A	MONTAGESTRIP CLEARPASS STRIP 50x5 L=2400
3	10	A0066681	C	SJORRING D TYPE 5000 KG
2	1	A0063182	E	SAMENSTELLING KOPSECTIE
1	2	A0048100	A	RINGPOT 96x66x6 L=137 1x12" /-96-1
Index	qty	article number	title	

Inner beam	Suspension	BRUSHUIS/INDEPENDENT	Side rake	(F) Up 160 cl, (D) Up 240 cl.
Extensions	Axles	BRUSHUIS/INDEPENDENT	Stake pockets	96x66x6
333	Raise/lower	+245 / 70	Beck	28-37 Hwoody 8/10 checkpl.
500	Tyres	245/70 R17,5 R=398	Veldings	K-13320
1000	Fifth wheel load	23000 (kg)	Brain holes	Ø13
1500	Bogie load	36000 (kg) (technical)	Type vehicle	3ABSD-48
2000			Chassis number	XN13335U141401148
2500	Client	ROTH TRANSPORT	Break sharp edges	15
3000	Gen. Tol. ISO 2768-cl, ISO 1101	Roughness ISO 1302, Vinding ISO 13028 AE		
3500	drawn by	Paul Buijck	third angle	no
4000	date	28-04-14	treatment	(for information purpose only)
4249	preceded	130195	scale	1:1
4500			state	Production
5000			revision	A
5500			article Number	1401148
5773				
6200				



THIS DRAWING IS THE PROPERTY OF BROSHUIS HOLLAND. ANY REPRODUCTION OR ANY PART THEREOF IS NOT PERMITTED, EXCEPT WITH THE PRIOR AND EXPRESS WRITTEN PERMISSION OF BROSHUIS NV.